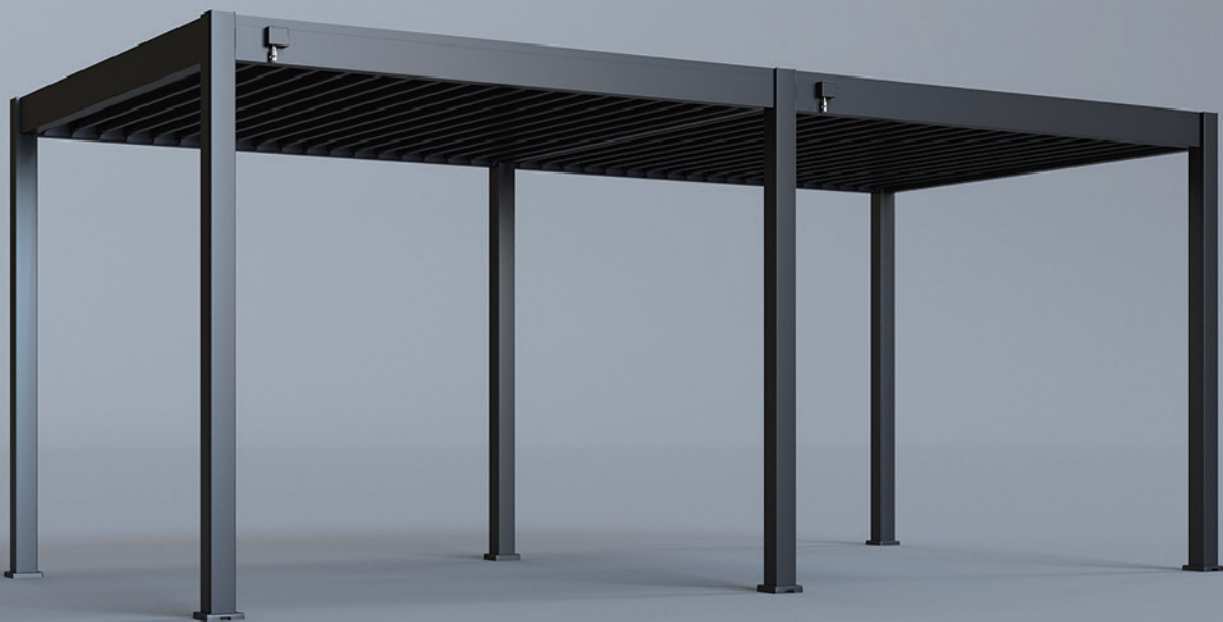


Installation Guide

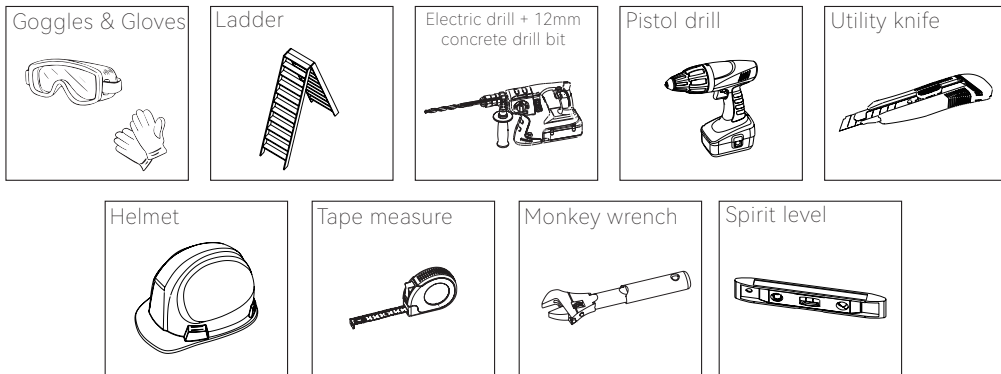
For 3X6m Pergola

Free-standing

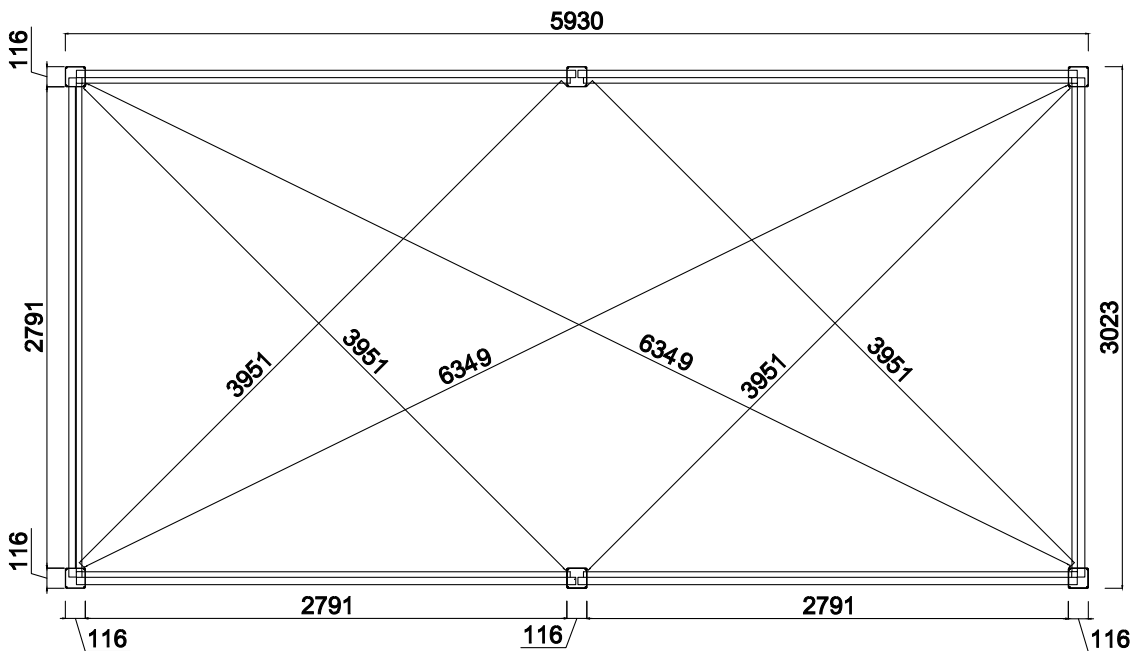


Hygge
pergola

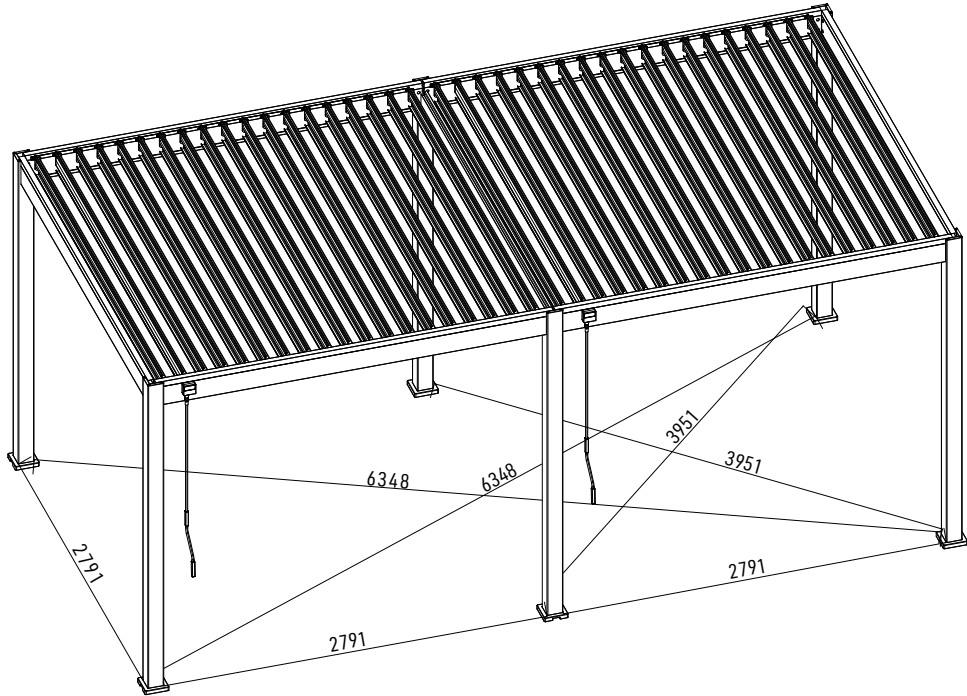
NECESSARY TOOLS AND SAFETY GEAR(NOT SUPPLIED)



2D FOOTING MEASUREMENT (dimensions in mm)



3D FOOTING MEASUREMENT (dimensions in mm)



PRECAUTION OF USE

This product should not be used in extreme weather: storms, violent winds, hail, and snow. We guarantee the resistance of the pergola for winds up to 50 km/h and a maximum snow weight of 30kg/m².

As in the case of strong winds or snow, we highly recommend leaving the louvers open. To maintain good working conditions of your louvers, please clear any snow on them.

Our pergola can withstand heavy rain, but we cannot guarantee it will be 100% waterproof due to some extreme weather conditions.

Exceptional climatic events may compromise the perfect sealing of the product.

To avoid any damages and injuries, we do not recommend climbing on the roof or the structure of the pergola.

TIPS AND SAFETY INSTRUCTIONS

Depending on the location and surface area, construction may be subject to building permits. Make sure you have checked with your local authorities to obtain the needed information before the assembly.

Product assembly :

- At least 2/3 people required
- Remove protective film (around 1 hour needed)
- Do not keep children near the assembly area
- Beware of the risk of pinching
- Do not tighten the screws before assembling the whole product
- All assembly steps must be carefully followed
- Check the level of the structure on all sides
- Do not anchor the pergola before assembling the whole product

No changes can be made to the product. Products tampered with by the user are not covered by the warranty, thus being declared as void.

The location should be chosen carefully. It is recommended to avoid mounting your pergola on a rainy day, facing the prevailing winds, and under an overhanging tree.

The pergola must be mounted on a flat-level foundation. It is recommended to install it on a concrete slab or 25x25 cm concrete pads at each post. Please, anchor the pergola properly to the ground using expansion screw.

If you would like to mount your pergola near your house or a building, please check the presence of gutters for water drainage.

Should these instructions not be followed or only partially, the warranty will be voided by the seller.

MAINTENANCE

Regular maintenance is necessary to ensure its longevity and aesthetic appearance.

We recommend to :

- Clean your pergola once or twice a year with fresh water using a sponge or cloth.
- Do not use detergent or an abrasive material.
- Check the tightness of the screws regularly (at least once a year).
- Oil fastening regularly (at least once a year).
- Make sure that nothing hinders the water flow in the gutters (leaves, branches...).
- Remove any water that might stagnate around the legs of the pergola (lift the posts skirts).

WARRANTY

This warranty does not cover :

- Normal wear and tear inherent from the products.
- Loss or breakage of any part during unpacking or installation.
- Lack of care, neglect, vandalism, impact with foreign body, force, contact with a abrasives material, product aesthetics, disassembly, rebuilding or relocation.
- Force majeure: hail, high winds, storms, snow, floods, lightning etc...
- Product tampered with by the user.

The warranty only takes in account the replacement of spare parts or the provided product, no refund will be issued.

All warranty claims must be made at the sales outlet (store or website) where the product has been purchased.

PARTS LISTS (PER CARTON)

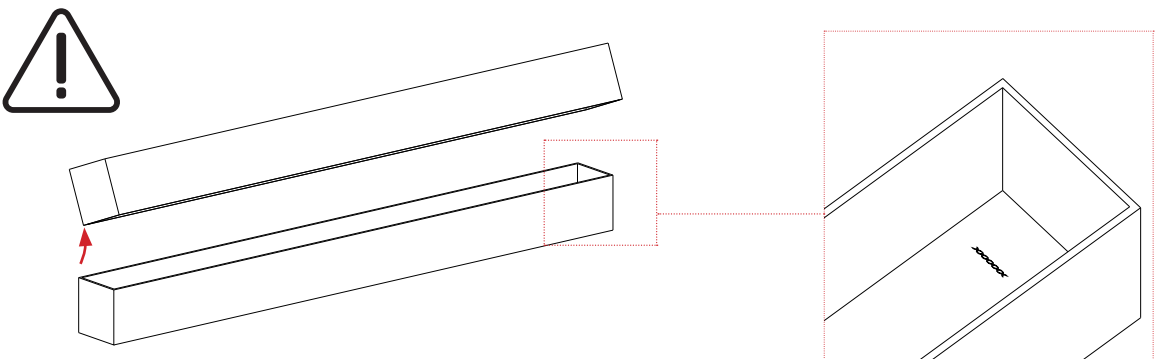
Before proceeding with the assembly of your louvered pergola, it is necessary to check that all parts listed are supplied and not damaged.

Any missing part must be reported within 10 days of delivery.



You can either go through your local outlet store or make the request directly on our website.



Do not discard the packaging without ensuring that the product is functioning properly.




There is a Product Tracking Number in the inner side of the carton(see below diagram). For better and efficient after-sales in the future, when tear down the carton box, please take a photo of the Tracking Number and save the photo.



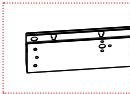

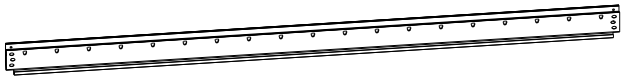



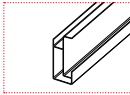

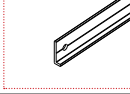


CARTON 1/6


REF	ICON	QTY
AO		4
AO-1		2

REF	ICON	QTY
IO		6
JO		6

REF	ICON	QTY
TO	 10×80	24
XO-1	 6×35  4mm	24

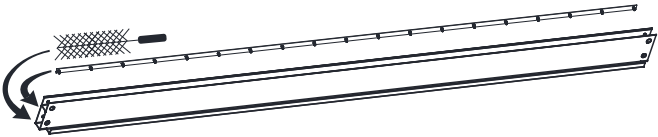
CARTON 2/6

REF	ICON	QTY
BO	 	2
BO-1		2
CO		1
CO-1		1
DO		4
EO	 	1
FO	 	4
HO		2

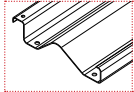



ATTENTION!

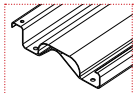

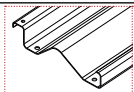
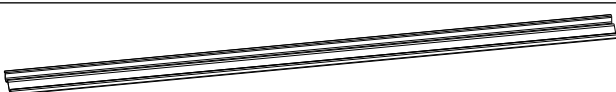
Connecting Bar(FO) & Brush Inside!



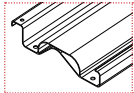

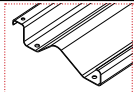
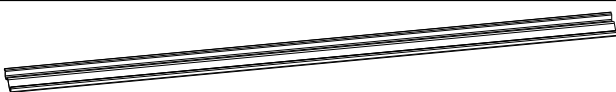
CARTON 3/6

REF	ICON	QTY
GO	 	12

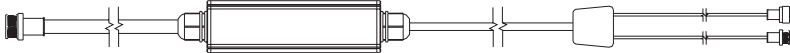
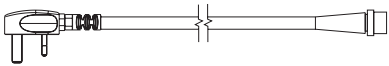
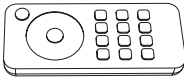

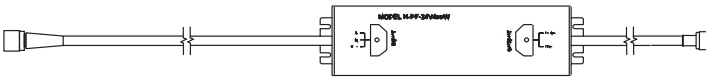
CARTON 4/6

REF	ICON	QTY
GO-1	 	1
GO	 	12

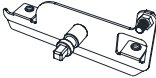
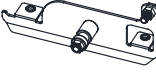
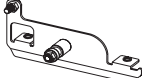


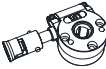


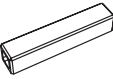

CARTON 5/6

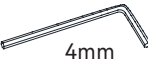

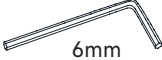
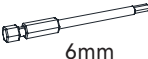
REF	ICON	QTY
GO-1	 	1
GO	 	12












CARTON 6/6





REF	ICON	QTY
L-C		1
P-1		1
L1		1
LED1		6
E-T		1

CARTON 6/6

REF	ICON	QTY
KO		2
LO		36
LO-1		38
EO-1		2
QO		36
NO		2
OO		2
RO		36
PO		2
SO		76

REF	ICON	QTY
ZO-1	 4mm	1
ZO-2	 4mm	1
ZO-3	 6mm	1
ZO-4	 6mm	1

REF	ICON	QTY
SO-1		76
WO	 5x6	152
WO-1	 5x19  8mm	6
UO	 lock nut	4
UO-2		72
UO-4		72
VO		4
XO-3	 6x16  4mm	4
YO	 6x45	6

REF	ICON	QTY
ZO-5	 10mm	1
ZO-7	 8mm	1
ZO-9	 3mm	1
ZO-10	 3mm	1



ASSEMBLY GUIDELINES




Step 1 : Assembling louvers



Step 2 : Frame

Step 3 : Install louvers & Connection

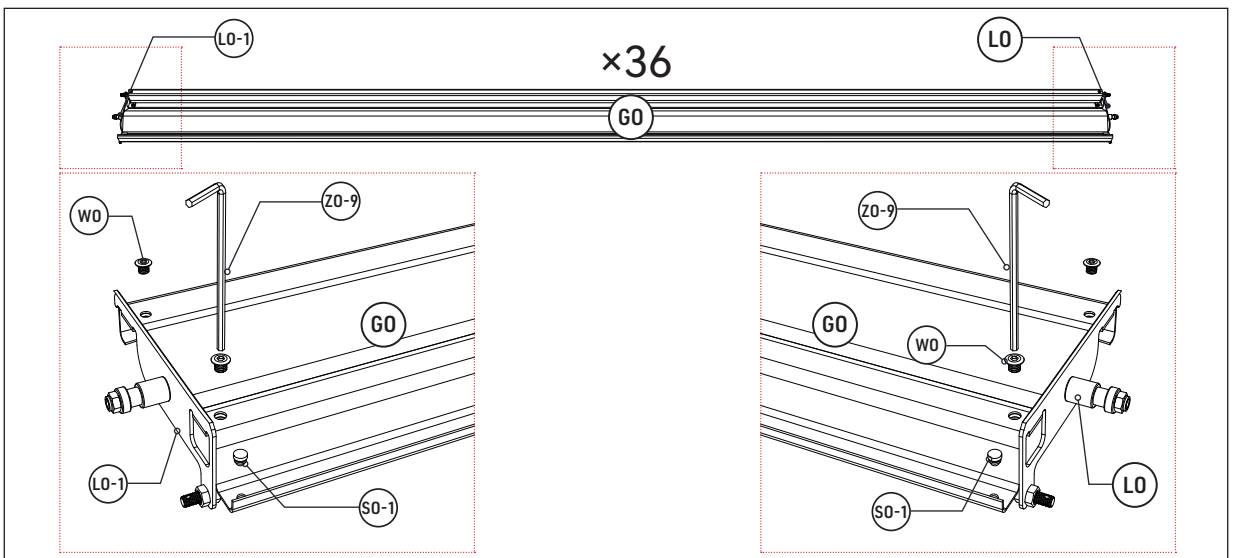
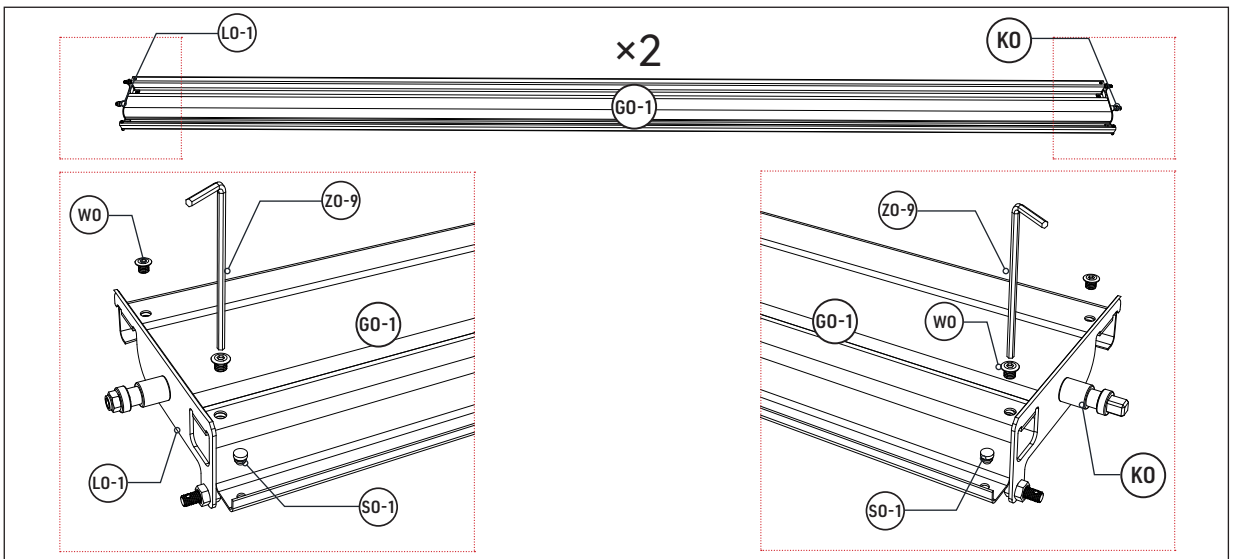
1

REF	ICON	QTY
GO-1		2
GO		36



REF	ICON	QTY
KO		2
WO		152
SO-1		76




REF	ICON	QTY
ZO-9		1
ZO-10		1



Install the louver cover on both sides of the installed louvres and the spindle louver cover on both sides of the louvres.

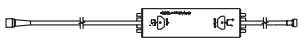


2

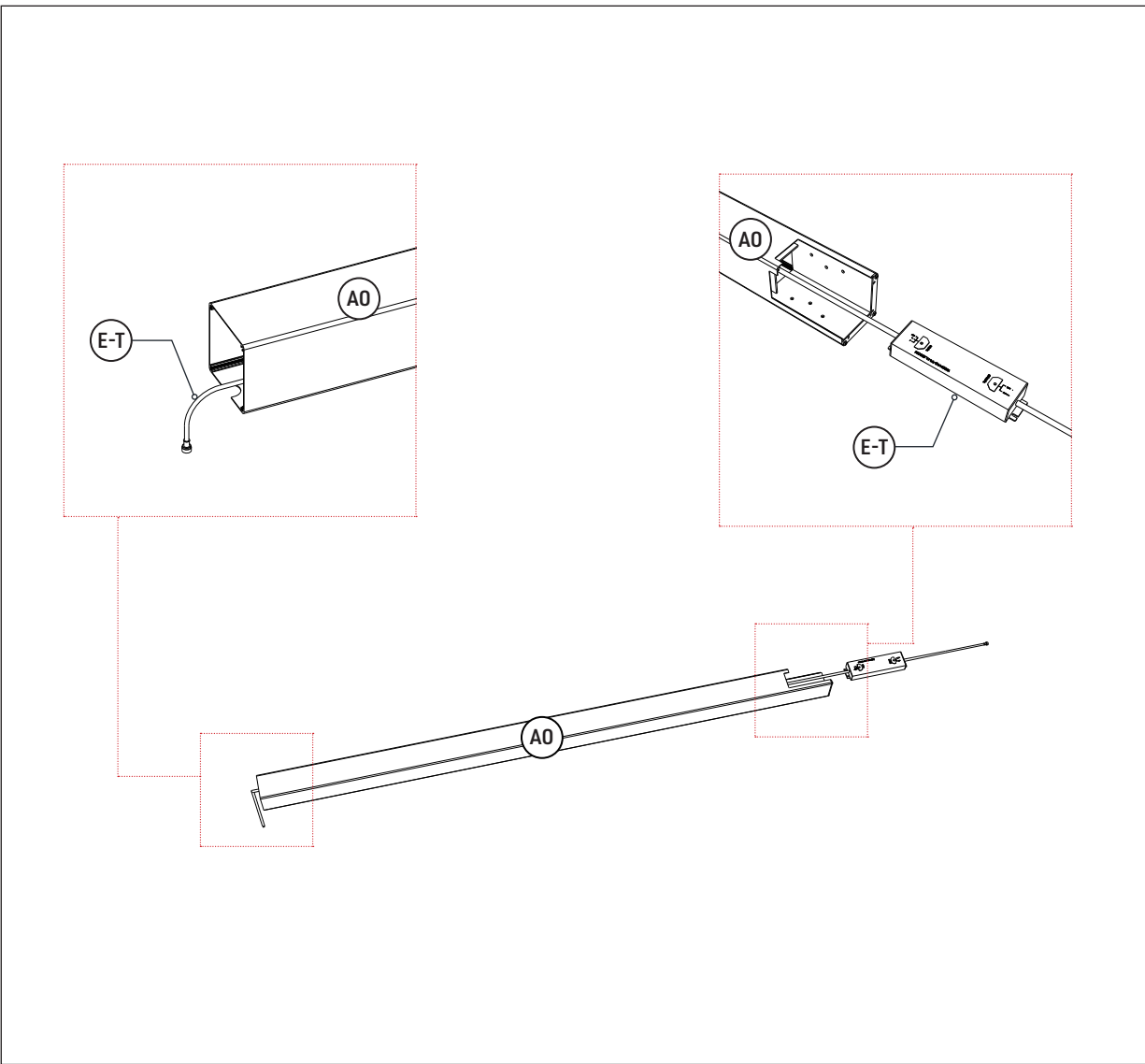
REF	ICON	QTY
AO		4
AO-1		2

REF	ICON	QTY
IO		4
JO		4
XO-1		16

REF	ICON	QTY
ZO-1		1
ZO-2		1

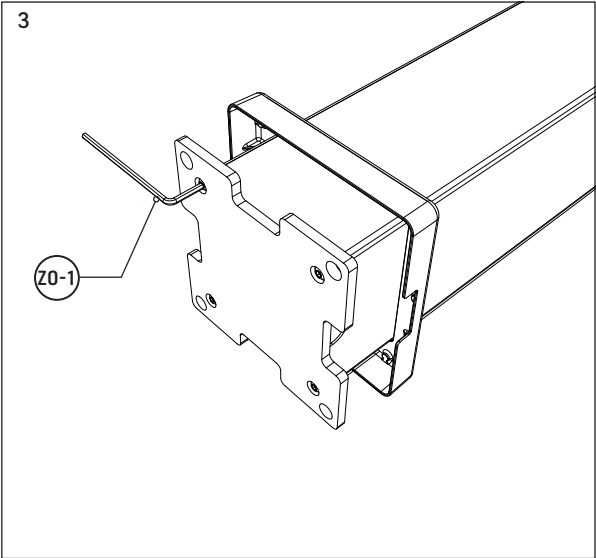
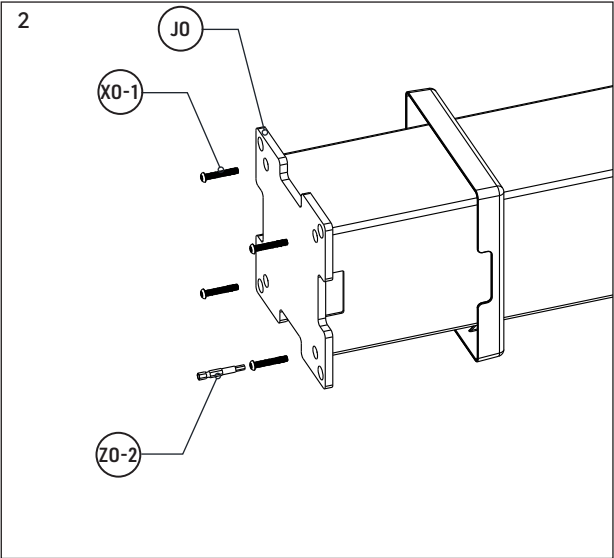
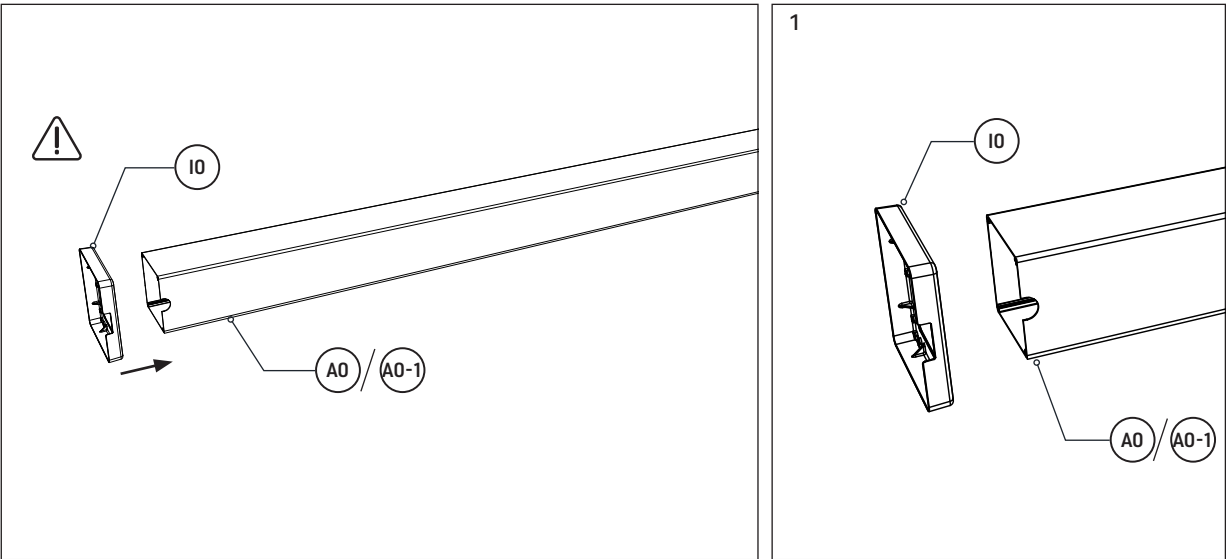
REF	ICON	QTY
E-T		1

Please insert the input line of the transformer into the cavity of the post.
 Pull the input line from the drainage outlet of the post.
 Install the plate and skirt of the post after pulling out the input line.






2


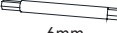
Install the post skirt first, put the notch of the post skirt against the notch of the post, and then install the base plate to fix it to the bottom surface of the post.



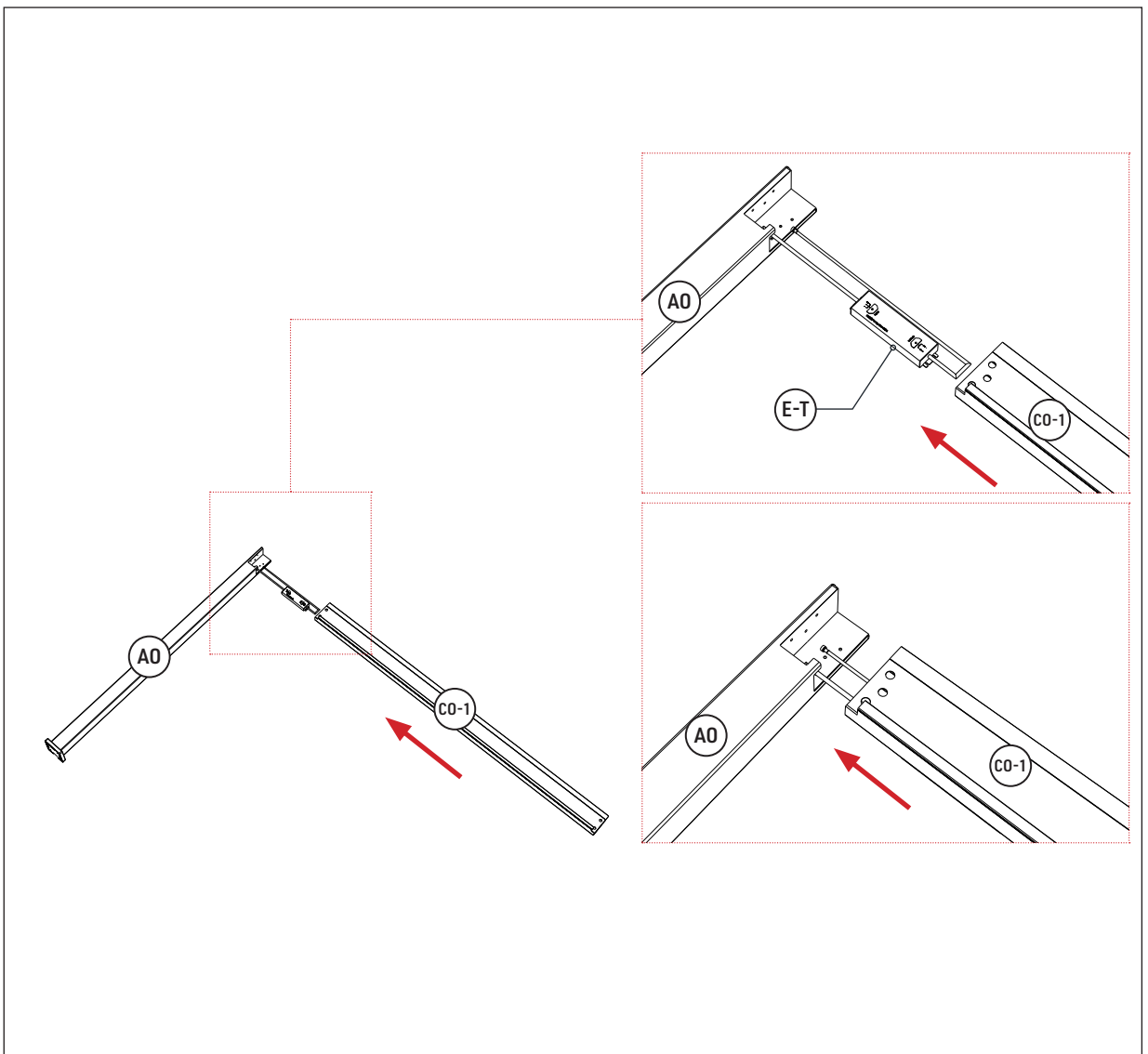
2

REF	ICON	QTY
CO		1
CO-1		1

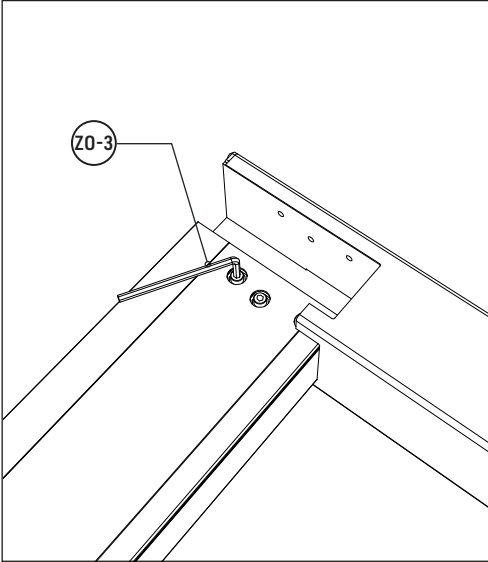
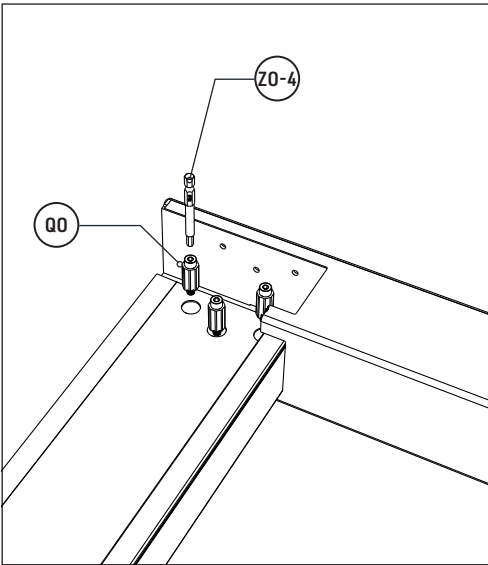
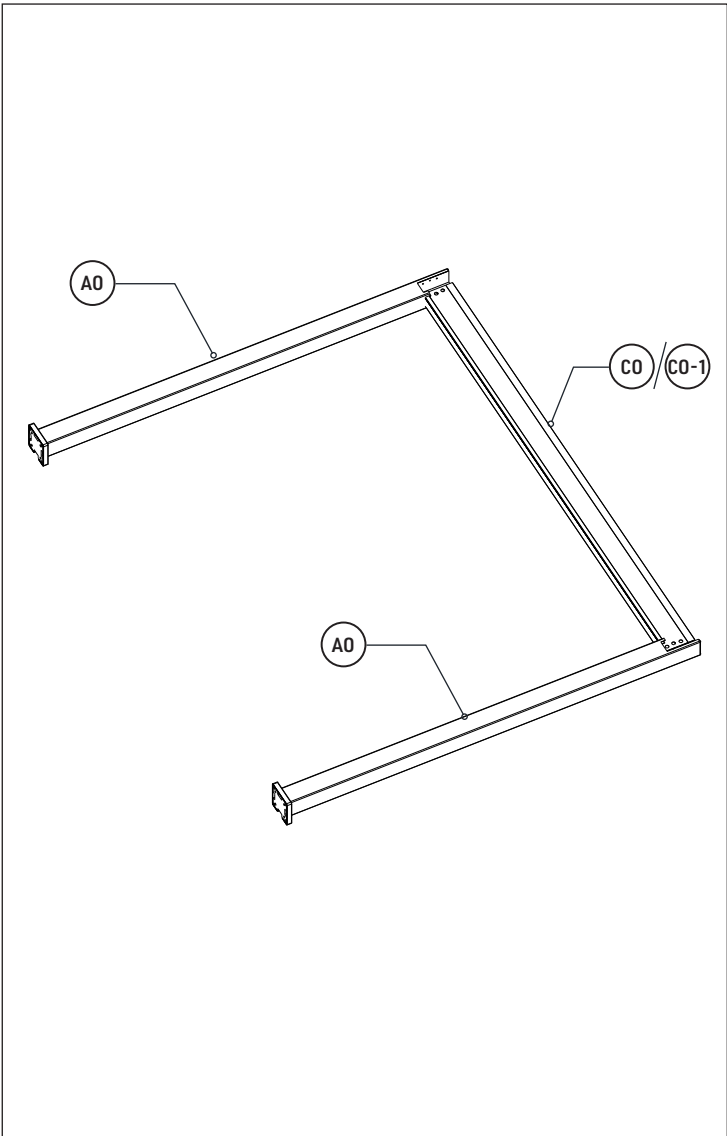
REF	ICON	QTY
QO	 6mm	12

REF	ICON	QTY
ZO-3	 6mm	1
ZO-4	 6mm	1



Connect the beam(CO-1) with the post(AO) as the diagram shown below.
Please remember to keep the transformer "OUTPUT" outside of beam





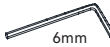

Using the pistol drill to fix screws on the post, then tighten screws with the spanner.



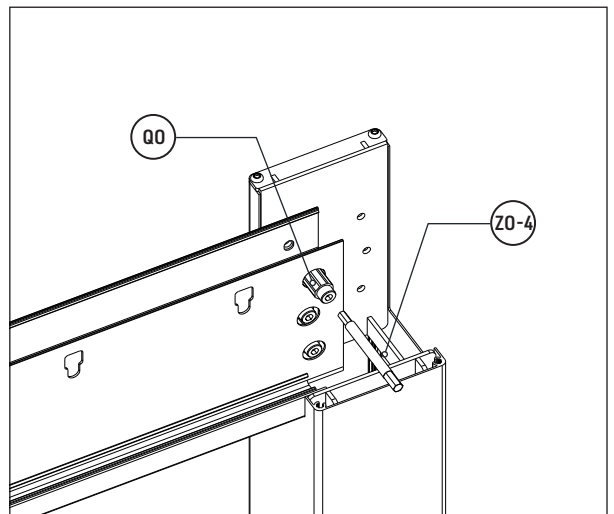
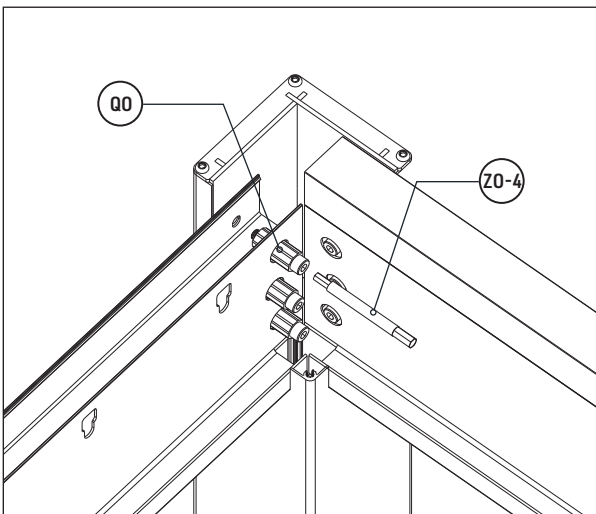
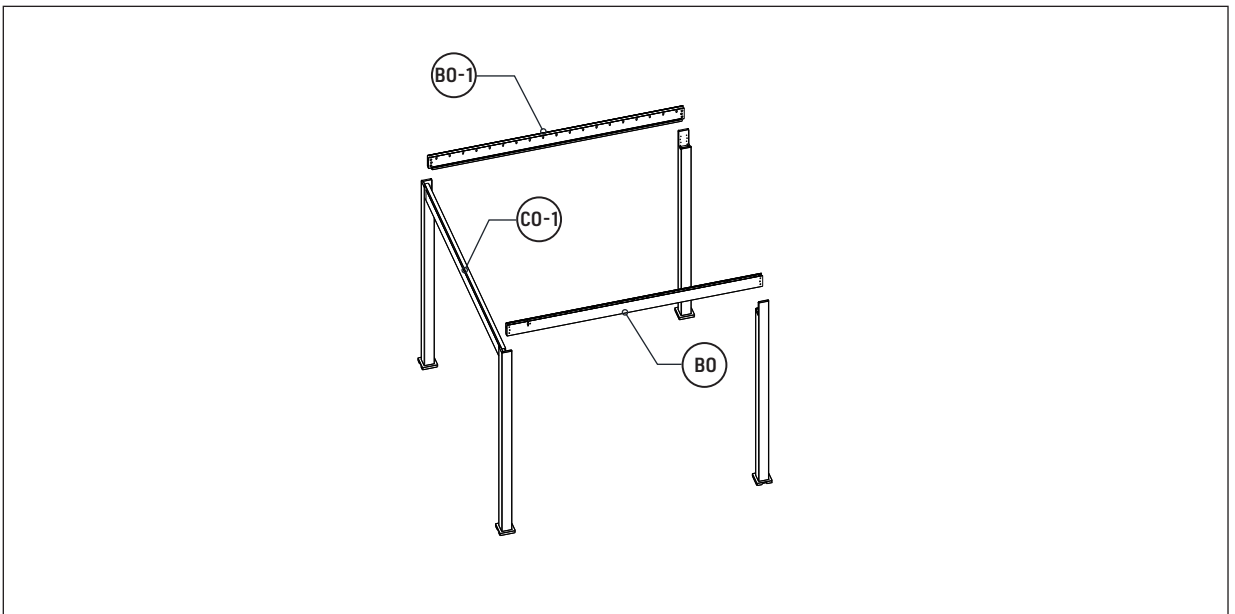
2

REF	ICON	QTY
BO		1
BO-1		1



REF	ICON	QTY
QO	 	12


REF	ICON	QTY
ZO-3		1
ZO-4		1

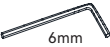
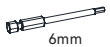
Put up the completed side beams and then install the main beams at each end.



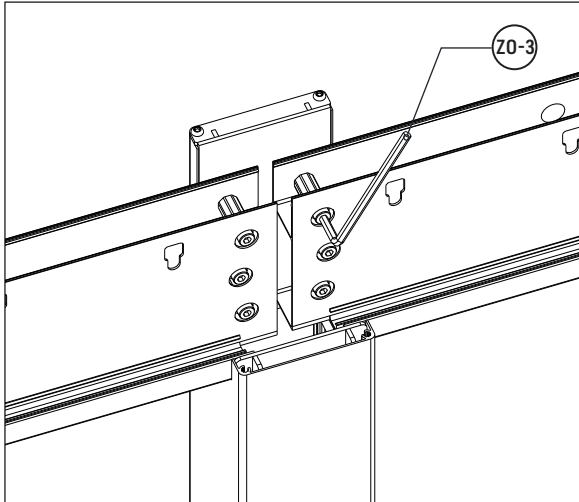
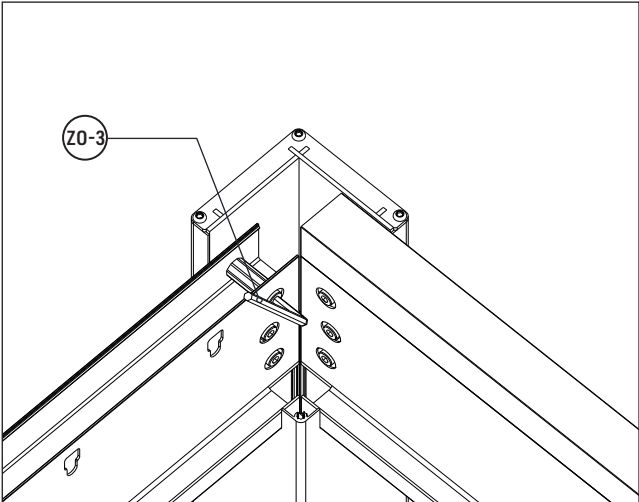
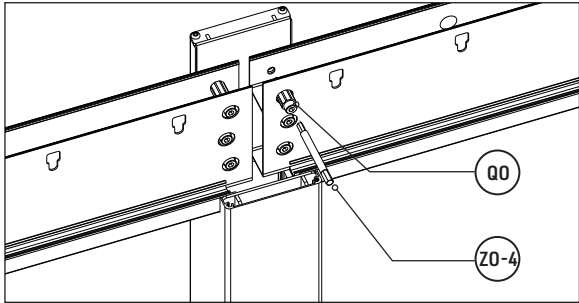
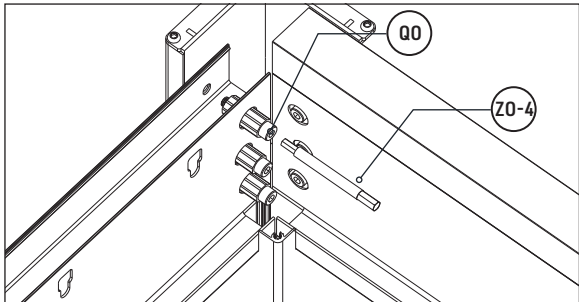
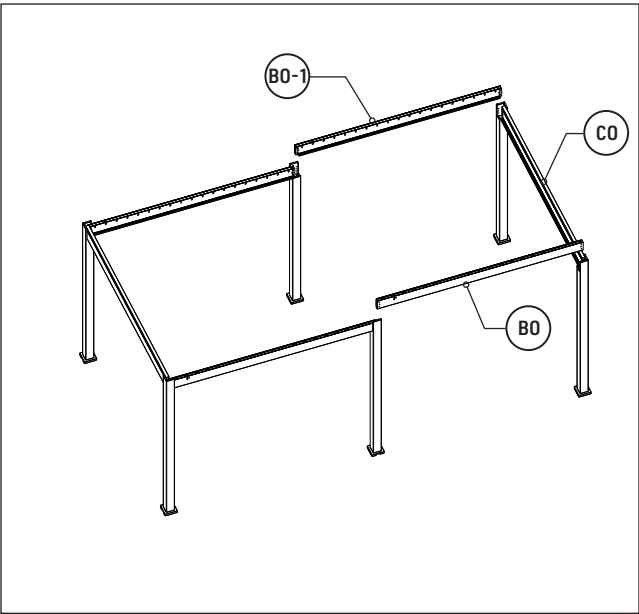
2

REF	ICON	QTY
BO		1
BO-1		1

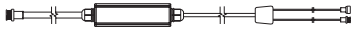
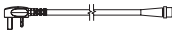


REF	ICON	QTY
QO	 6mm	12

REF	ICON	QTY
ZO-3	 6mm	1
ZO-4	 6mm	1

Put up the completed side beams and then install the main beams at each end.

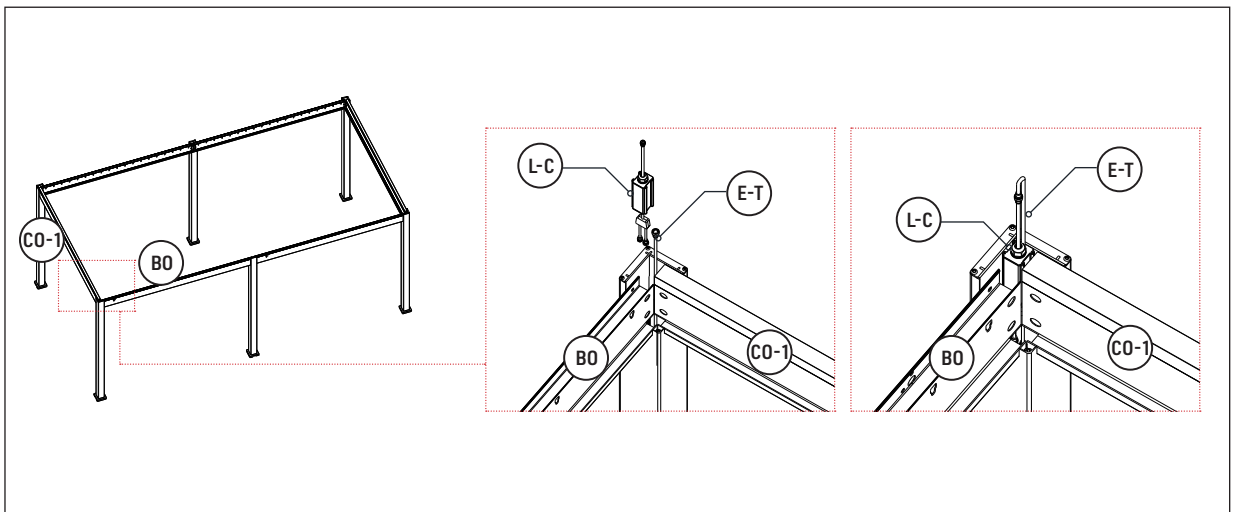
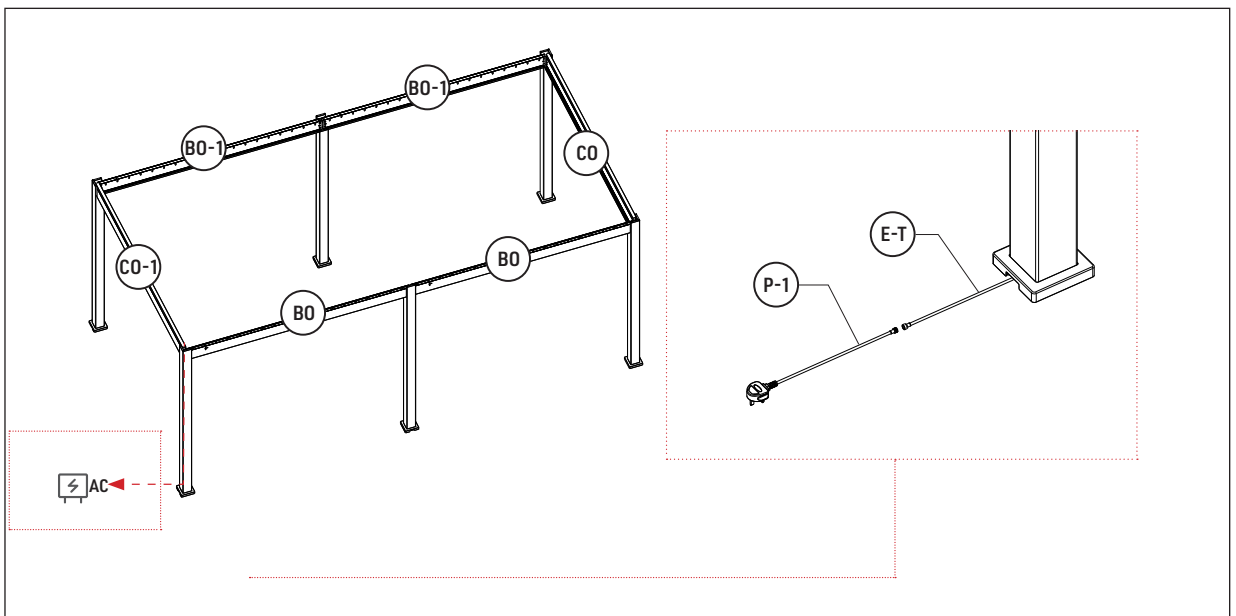


2

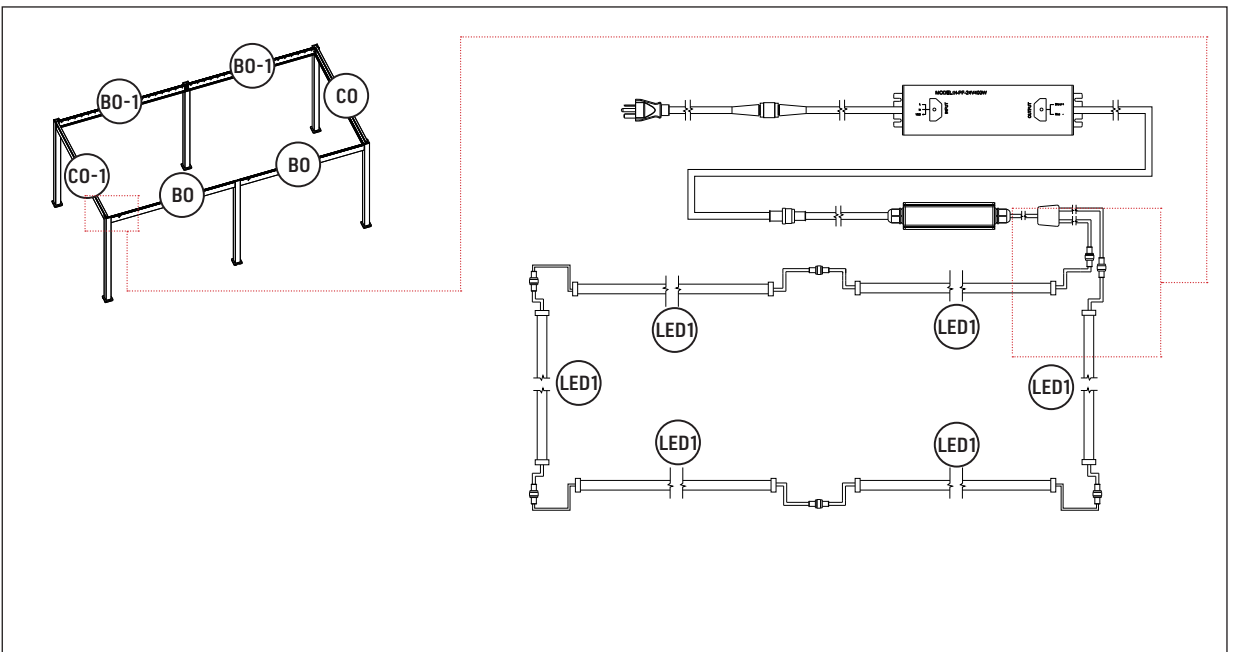
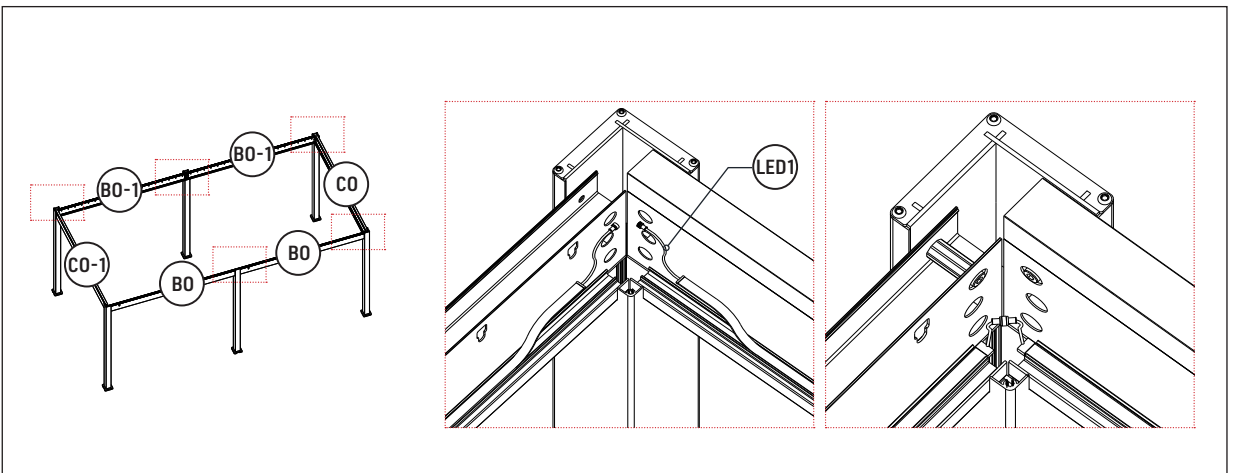
REF	ICON	QTY
L-C		1
P-1		1
L1		1
LED1		6

Connect the plug cable as the diagram shows below.

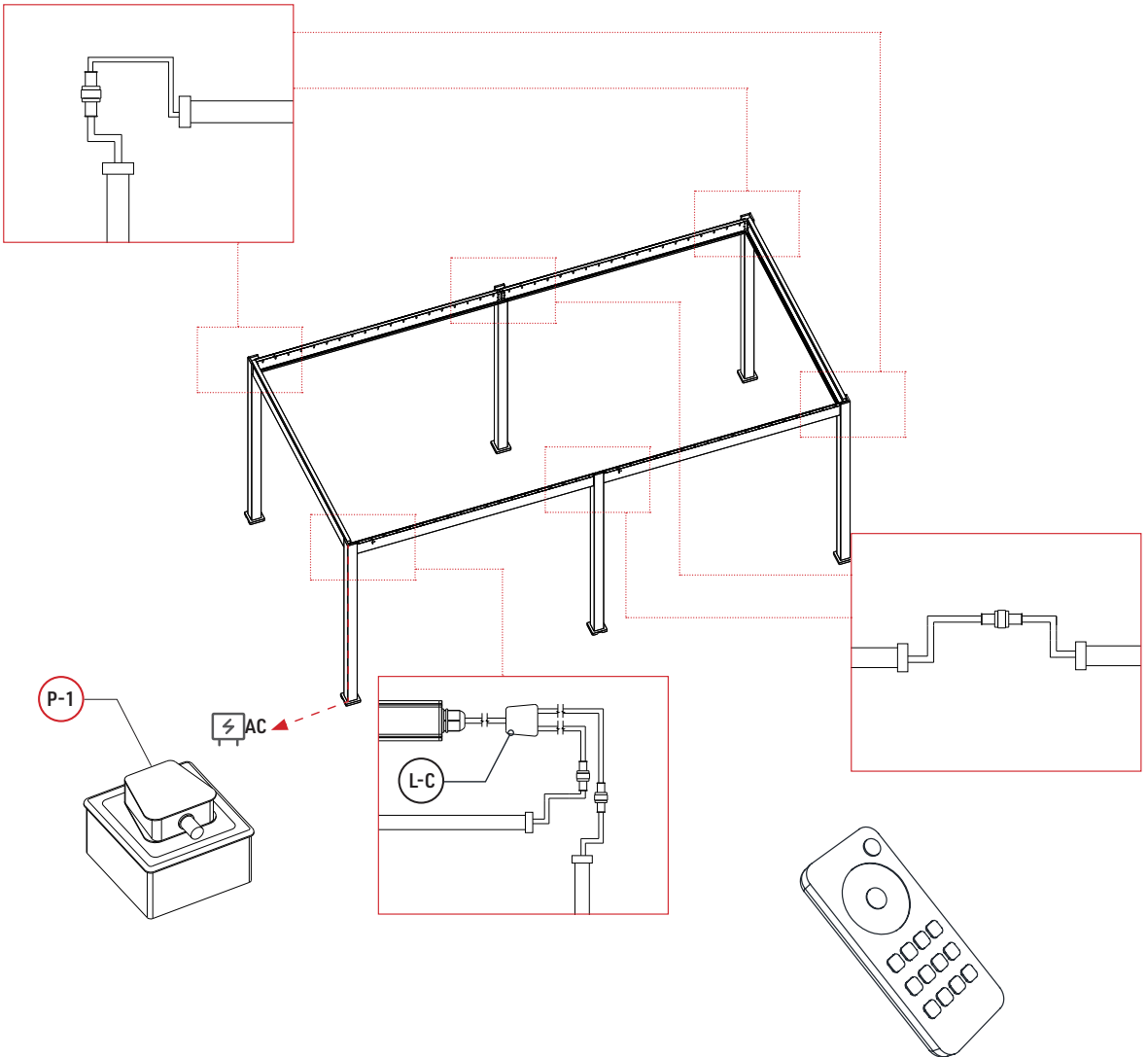
Put the LED controller into the cavity of the post, then connect the input end of LED controller with transformer.




Slot LED Strip on groove of beams, and notice direction of male and female that it could connected . Place male and female heads into cavity of post.








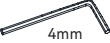


connect the output cable of the LED controller with the LED strip; then connect the LED each othe.



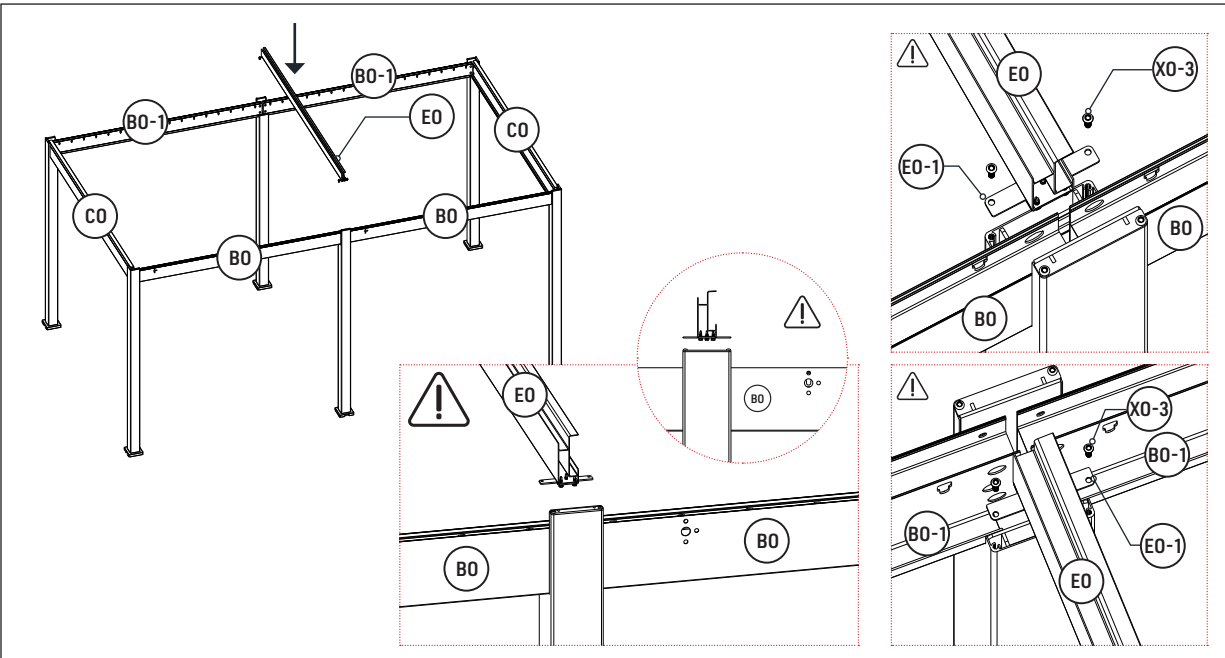
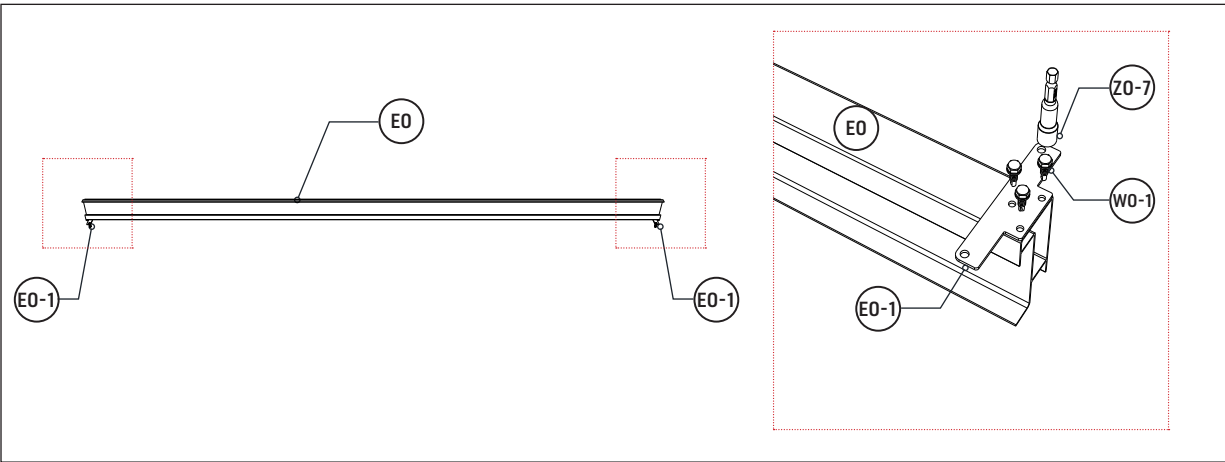
2

REF	ICON	QTY
EO		1


REF	ICON	QTY
EO-1		2
WO-1	 	6
XO-3	 	4

REF	ICON	QTY
ZO-1		1
ZO-2		1
ZO-7		1

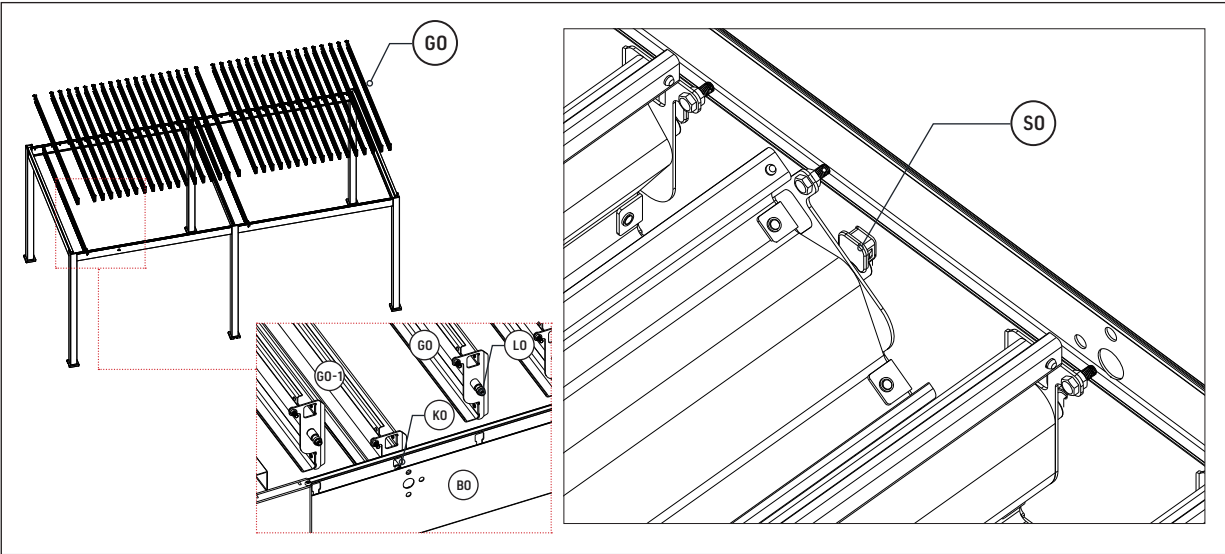
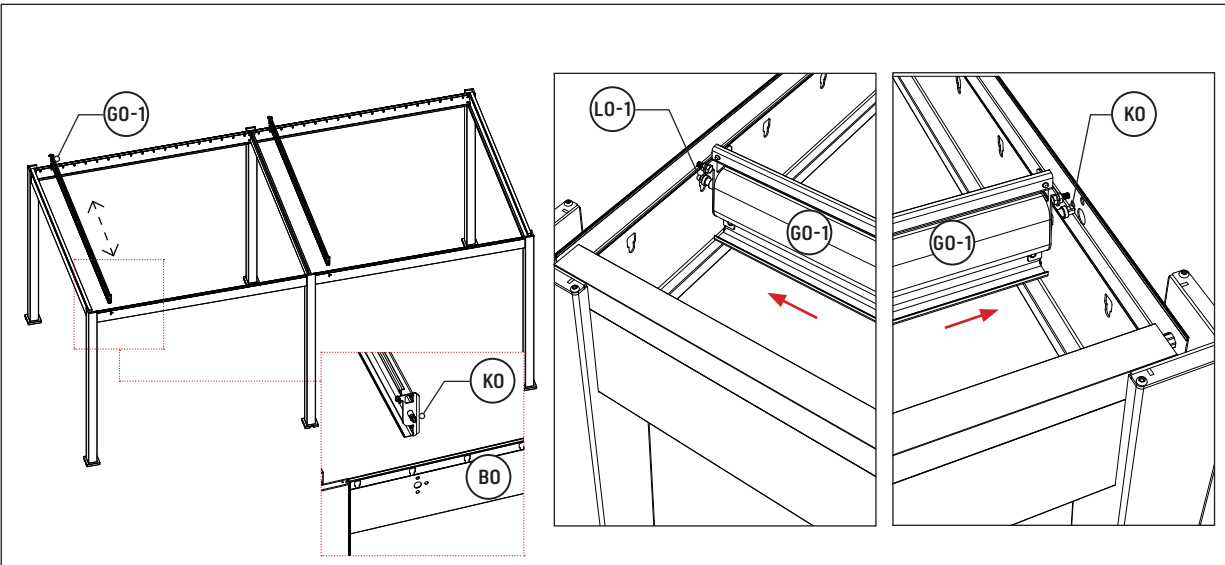
Complete the connectors on both sides of the center beam before installing the framing of the upper body, requiring attention to the direction of installation shown in the illustration.




3





REF	ICON	QTY
SO		76



Install the louvres with spindles first, placing one side completely into the hole cut in the beam and then the other end.



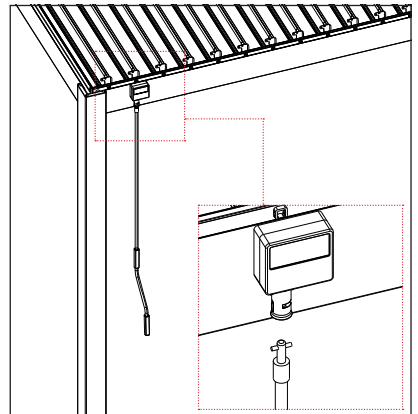
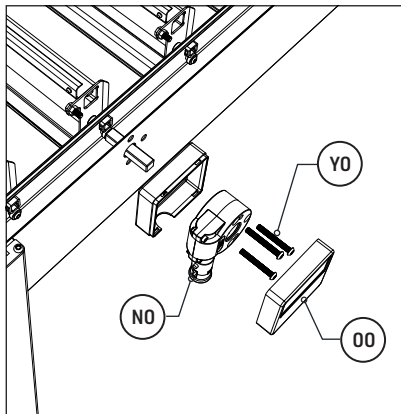
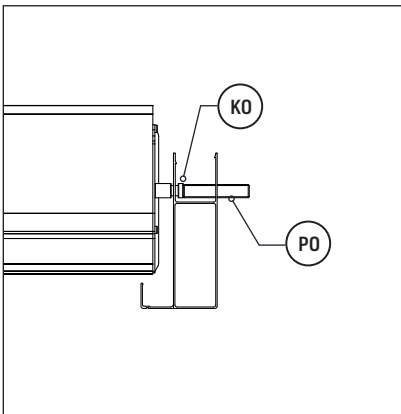
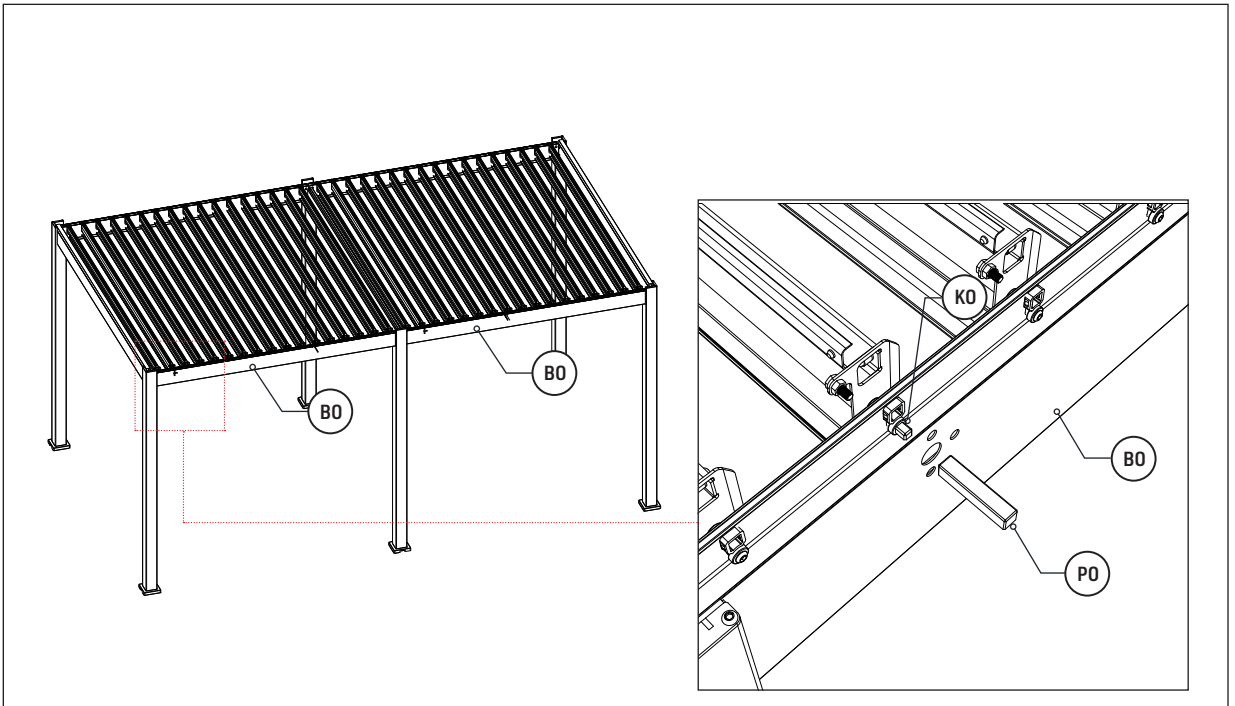
3

REF	ICON	QTY
HO		2


REF	ICON	QTY
NO		2
OO		2
PO		2
YO		6



REF	ICON	QTY
ZO-1		1
ZO-2		1

Locate the openings on the outside of the main beam and attach the holes of the connectors to the spindle, then install the plastic case and gearbox.

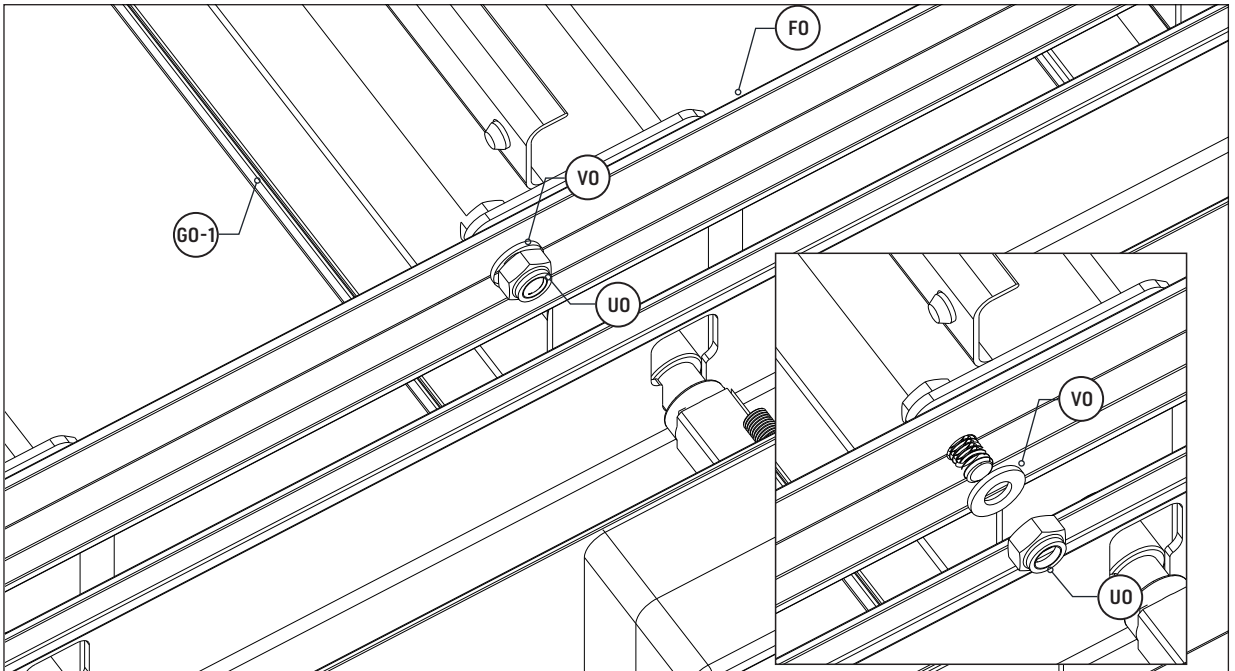
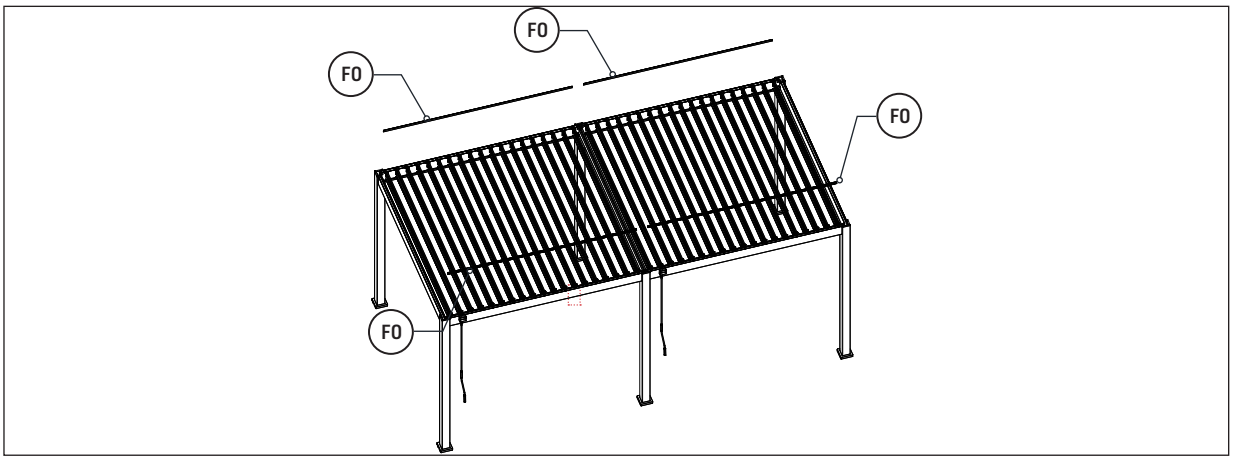


3



REF	ICON	QTY
FO		4

REF	ICON	QTY
UO	 lock nut	4
VO		4

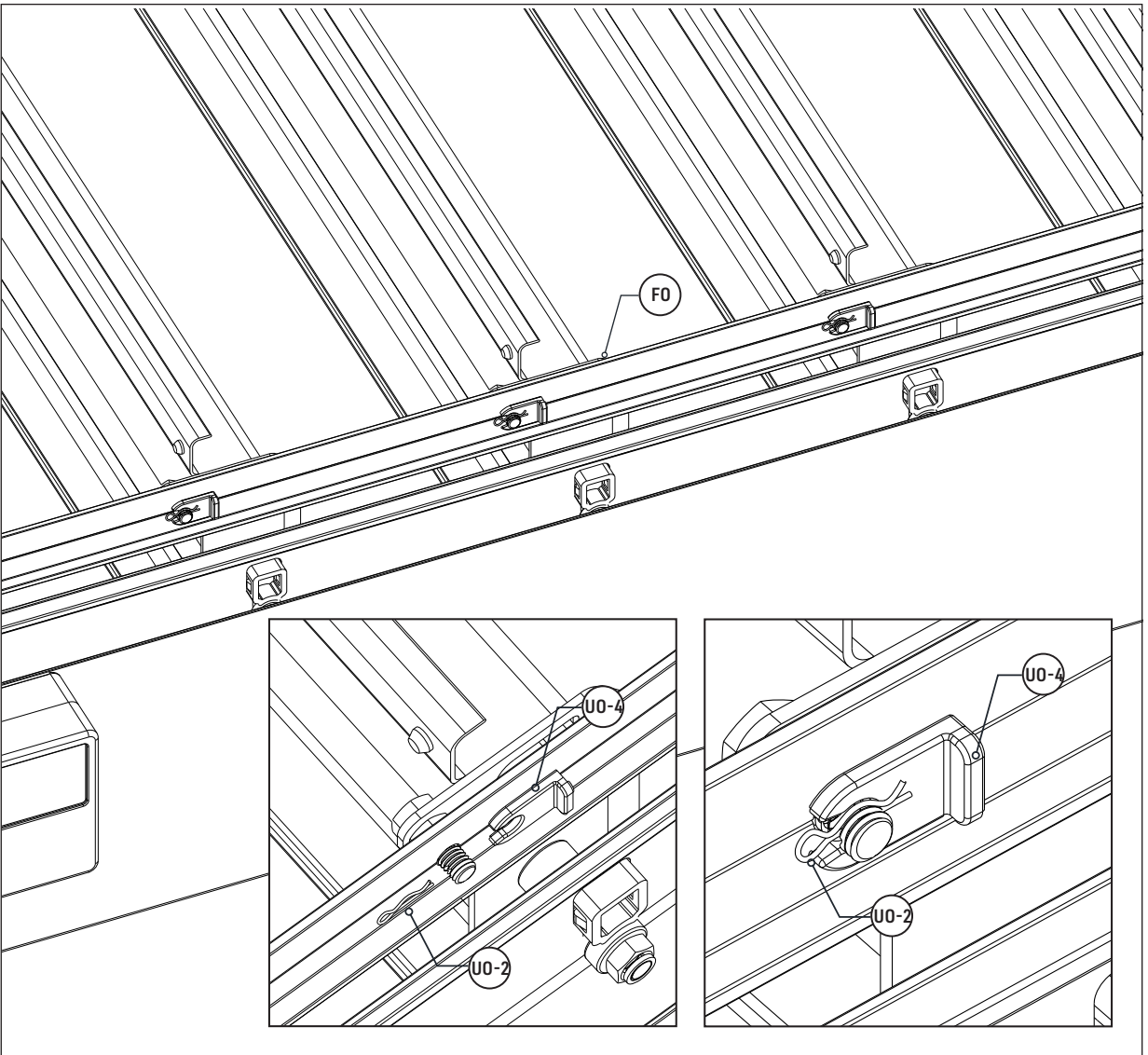
Installation anti-loosening nuts and washers on both ends of master louver.




3


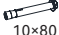
REF	ICON	QTY
UO-2		72
UO-4		72

Attach the connecting rod to the side of the spindle louvre.



3

REF	ICON	QTY
DO		4

REF	ICON	QTY
RO		36
TO	 10x80	24

1. Cover the end caps on the beam.
2. Use the plastic cover to cover the screw holes where the beam is connected to the column.
3. Move the bottom of the columns according to the dimensions on the front page to ensure that the dimensions are the same, then use a 12mm impact drill bit to guide the holes, then put in the expansion screws and tighten them with a M17 spanner.

